

**GENERAL**

CLASSIFICATION: STAIR LIFT  
 MODEL: SL1000  
 CAPACITY: 158 kg [350 Lb]  
 SPEED: 0.1 m/sec [20'/min]  
 POWER SUPPLY: 110V,15A,60Hz,SINGLE PHASE  
 MOTOR: 1/2 HP-24 VDC / 110V AC CHARGER  
 DRIVE SYSTEM: RACK AND PINION  
 CONTROLLER  
 MODEL: LUT125  
 TYPE: CPFS  
 C UL US#: 100556887MTL-002  
 CONTROL VOLTS: 24VDC  
 MFR.: CONTROLLED SPEED ENGINEERING LTD

SPECIFICATIONS  
 ANGLE OF STAIRCASE: 25° TO 45°  
 LENGTH OF STAIRWAY: MAX 384"

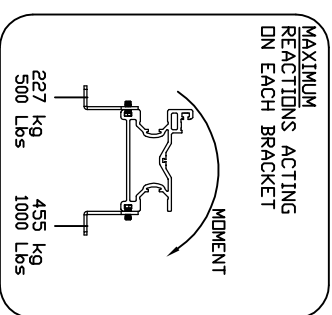
LOCATION: INDOOR  
 SEAT COVERING: VINYL PUBLIC PACKAGE:  
 COLOR: BEIGE  
 CALL STATION: A REMOTE FOR RESIDENTIAL

**ANCHORING**

WOODEN THREAD:  
 ANCHOR EACH BRACKET SET USING  
 A MINIMUM OF 4X Ø1/4 X 2"  
 WOOD SCREW

REINFORCED CONCRETE  
 ANCHOR EACH BRACKET SET USING  
 A MINIMUM OF 4X SLEEVE ANCHORS 1/4-2"  
 METAL PLATE / BLOCK  
 ANCHOR EACH BRACKET SET USING  
 A MINIMUM OF 4X TRHU BOLT 1/4"

BRACKET POSITION:  
 WITHIN 18 INCHES [457] OF EACH END  
 OF EACH SECTION OF TRACK  
 IN THE CENTER OF EVERY SECTION  
 OF TRACK LONGER THAN 4 FEET  
 SUPPORT LOAD DIAGRAM



**PUBLIC PACKAGE INCLUDES:**

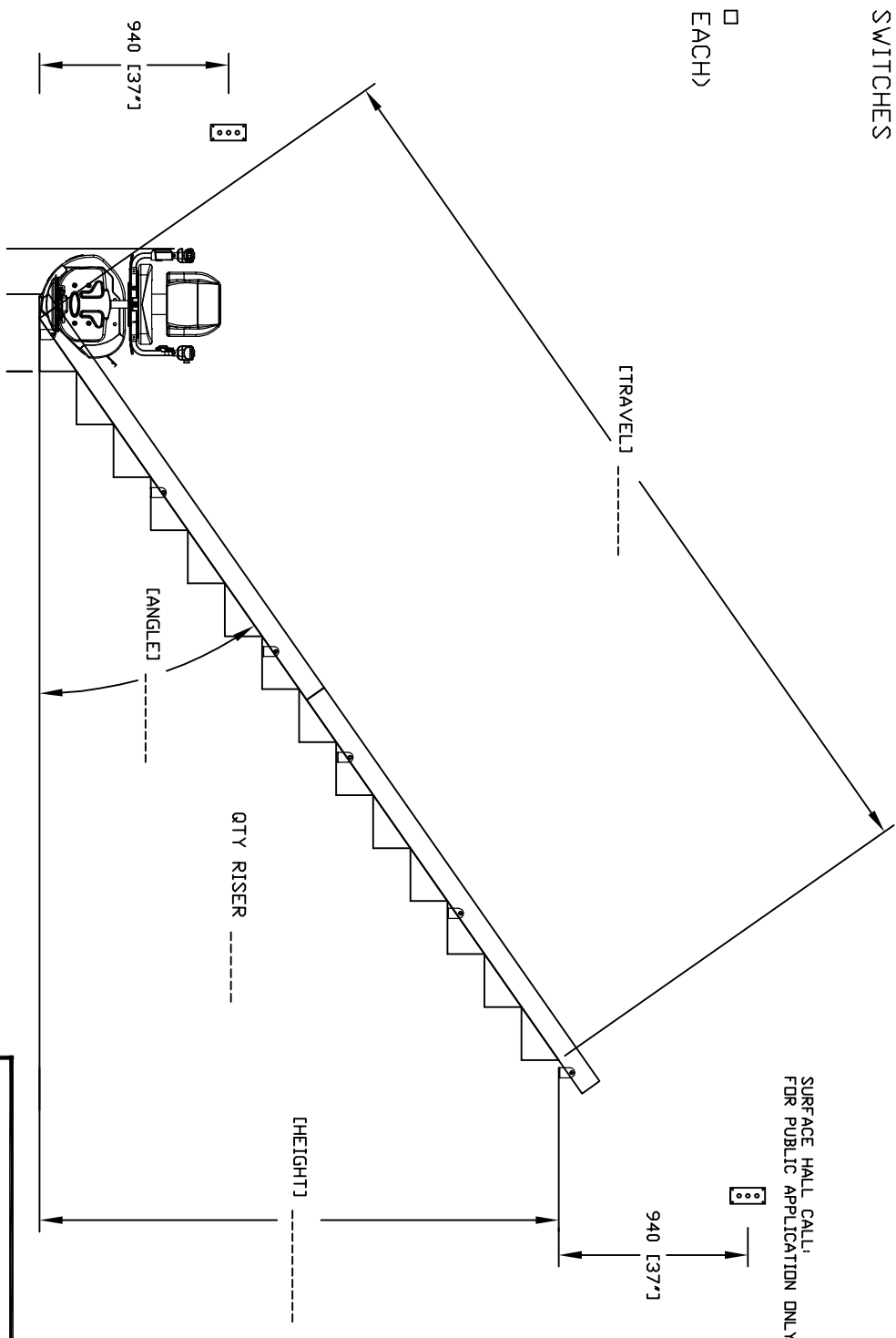
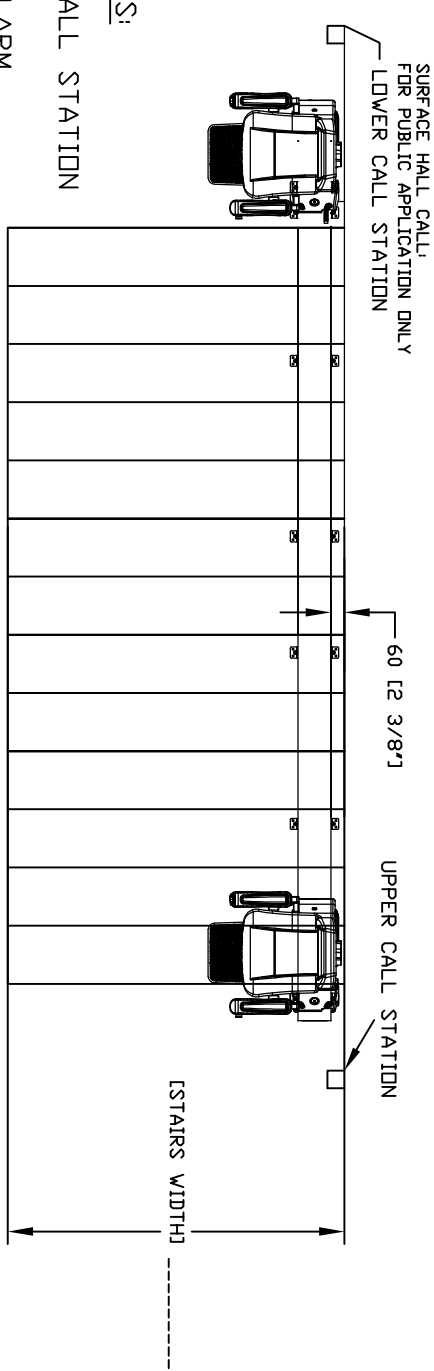
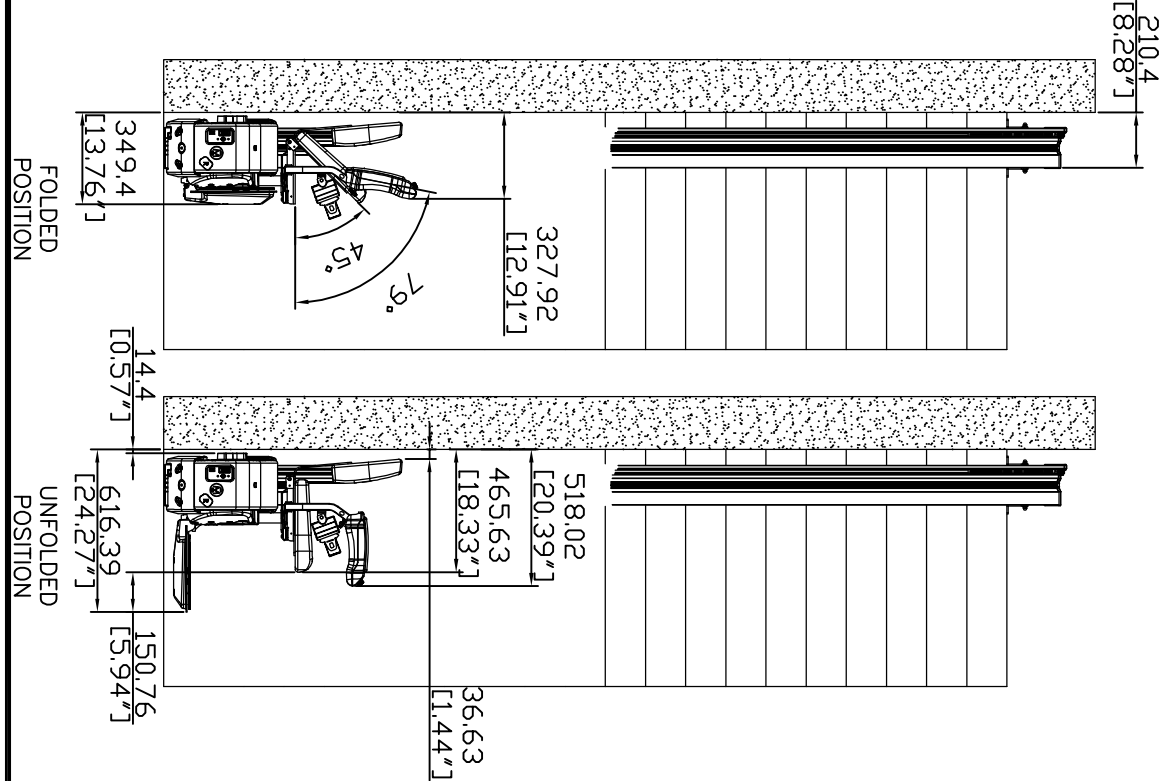
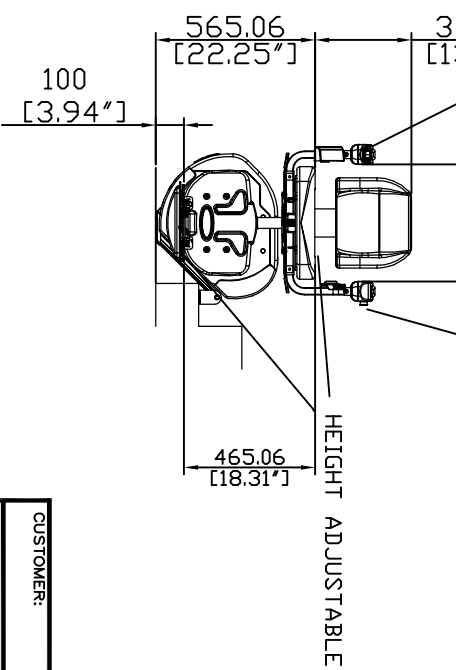
- KEYED SURFACE MOUNT CALL STATION
- OVERSPEED GOVERNOR
- EMERGENCY STOP WITH ALARM
- IN USE LIGHT AND ALARM (ONTARIO ONLY)
- 2252 ON/OFF KEY
- FOLDING ARM SWITCHES

**OPTIONS**

SIDE OF INSTALLATION: LEFT  RIGHT   
 QTY OF RAIL SECTION: ----- (94" EACH)  
 PUBLIC PACKAGE: YES  NO

EMERGENCY STOP  
 & OPERATION KEY  
 (PUBLIC APPLICATION)

MIN 414.62 [16 3/8"]  
 MAX 533.4 [21"]



LH SHOWN

SL1000

CUSTOMER:		DATE:	
PROJECT:		REVISION DATE:	
ADDRESS:		COMPLETED BY: ALEX B	
JOB No.		SHEET No.	
Part No. SL1000		1 OF 1	
Variant No. N/A		SAVARIA	