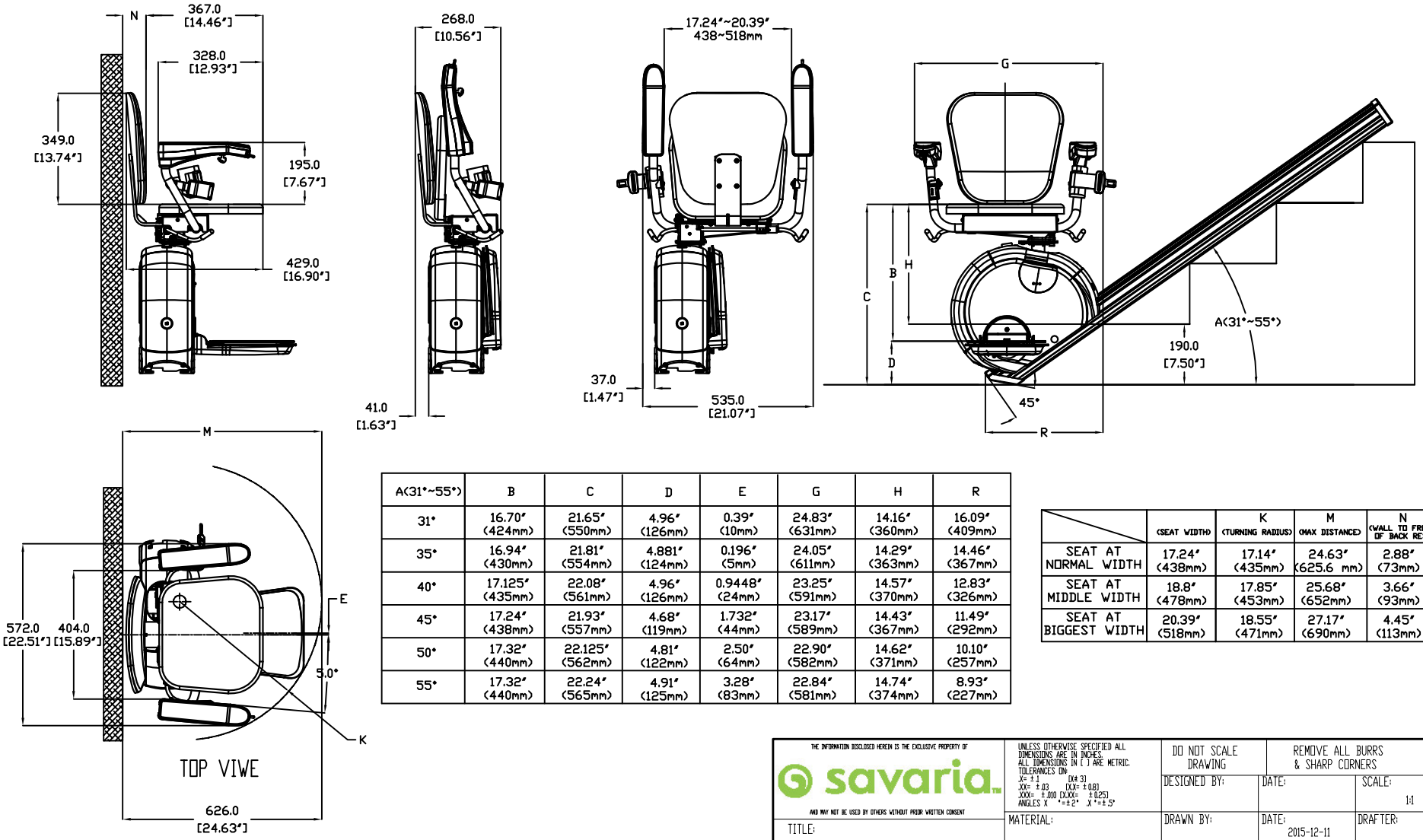


REVISIONS			
REV	ECO. NO.	DATE	REVISED BY

K2 L-seat



	SEAT WIDTH	K (TURNING RADIUS)	M (MAX DISTANCED)	N (WALL TO FRONT OF BACK REST)
SEAT AT NORMAL WIDTH	17.24" (438mm)	17.14" (435mm)	24.63" (625.6 mm)	2.88" (73mm)
SEAT AT MIDDLE WIDTH	18.8" (478mm)	17.85" (453mm)	25.68" (652mm)	3.66" (93mm)
SEAT AT BIGGEST WIDTH	20.39" (518mm)	18.55" (471mm)	27.17" (690mm)	4.45" (113mm)

THE INFORMATION DISCLOSED HEREIN IS THE EXCLUSIVE PROPERTY OF **savaria.**

UNLESS OTHERWISE SPECIFIED ALL DIMENSIONS ARE IN INCHES. ALL DIMENSIONS IN () ARE METRIC. TOLERANCES ON:
 X = ±.1 (Ø < 3)
 XX = ±.03 (Ø < 0.8)
 XXX = ±.00 (XXX = ±.025)
 ANGLES X ° ±.2° X' ±.5°

DO NOT SCALE DRAWING
 DESIGNED BY: DATE: SCALE: 1:1

REMOVE ALL BURRS & SHARP CORNERS

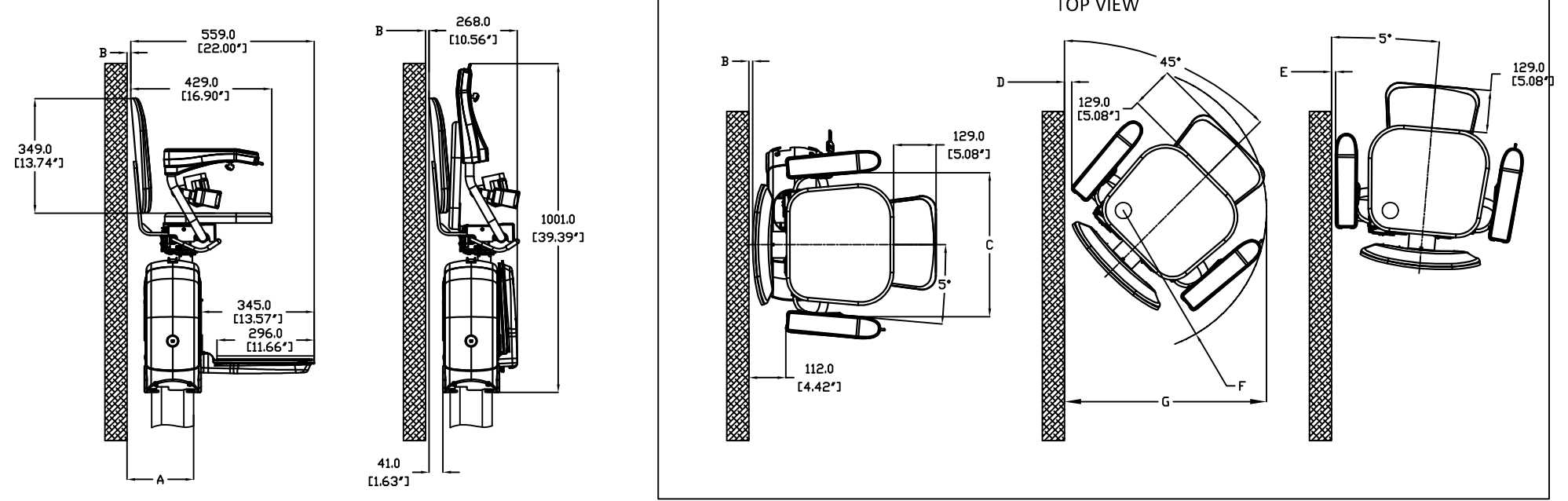
MATERIAL: DRAWN BY: DATE: 2015-12-11 DRAFTER:

FINISH: SHEET 1 OF 2 DRAWING NO:

TITLE: L-SEAT DIMENSIONAL LAYOUT

REVISION: VERSION: SIZE B

REVISIONS			
REV	ECO. NO.	DATE	REVISED BY



THE INFORMATION DISCLOSED HEREIN IS THE EXCLUSIVE PROPERTY OF **savaria.**

UNLESS OTHERWISE SPECIFIED ALL DIMENSIONS ARE IN INCHES. ALL DIMENSIONS IN () ARE METRIC. TOLERANCES ON:
 X = ±.1 (Ø < 3)
 XX = ±.03 (Ø < 0.8)
 XXX = ±.00 (XXX = ±.025)
 ANGLES X ° ±.2° X' ±.5°

DO NOT SCALE DRAWING
 DESIGNED BY: DATE: SCALE: 1:1

REMOVE ALL BURRS & SHARP CORNERS

MATERIAL: DRAWN BY: DATE: 2015-12-11 DRAFTER:

FINISH: SHEET 2 OF 2 DRAWING NO:

TITLE: L-SEAT MOUNTING DIMENSION

REVISION: VERSION: SIZE B