

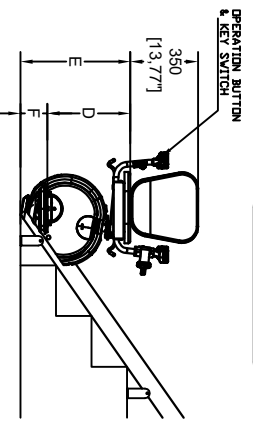
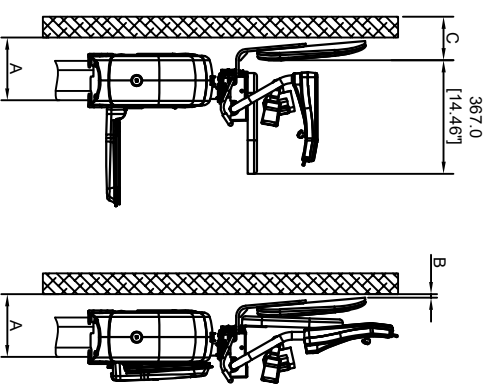
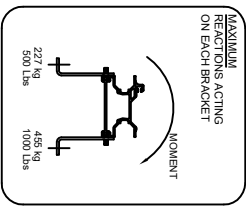
CLASSIFICATION: STAIR LIFT
MODEL: K2
CAPACITY: 350 Lbs [158kg] for less than 45 deg angle staircase
POWER SUPPLY: 110V, 15A, 60Hz, SINGLE PHASE
MOTOR: 1/3 HP-24 VDC / 110V AC CHARGER
DRIVE SYSTEM: RACK AND PINION
CONTROLLER:
MODEL: LUT125
TYPE: CPES
ETL#: 102116528MTL-001
CONTROL VOLTS: 24VDC
MFR.: LUTRON

SPECIFICATIONS:
ANGLE OF STAIRCASE: 31° TO 45°
LENGTH OF STAIRWAY: MAX 265"
LOCATION: INDOOR
SEAT COVERING: VINYL
COLOR: WHITE
CALL STATION: A REMOTE FOR RESIDENTIAL
SAFETY FEATURE: OVERSPEED GOVERNOR

WOODEN THREAD:
 ANCHOR EACH BRACKET SET USING A MINIMUM OF 4X 0.14 X 2" WOOD SCREW
REINFORCED CONCRETE:
 ANCHOR EACH BRACKET SET USING A MINIMUM OF 4X SLEEVE ANCHORS 1/4-2" METAL PLATE / BLOCK
 ANCHOR EACH BRACKET SET USING A MINIMUM OF 4X TRHU BOLT 1/4"
BRACKET POSITION:
 WITHIN 18 INCHES (457) OF EACH END OF EACH SECTION OF TRACK
 IN THE CENTER OF EVERY SECTION OF TRACK LONGER THAN 4 FEET

OPTIONS
SIDE OF INSTALLATION: LEFT RIGHT
QTY OF RAIL SECTION: _____ (94" EACH)
PADDLER ON ARM: YES
BUSLINE: YES
FLIP-UP RAIL: YES
BRACKET EXTENSION: YES

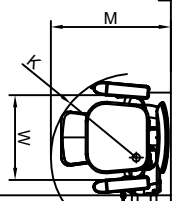
SUPPORT LOAD DIAGRAM



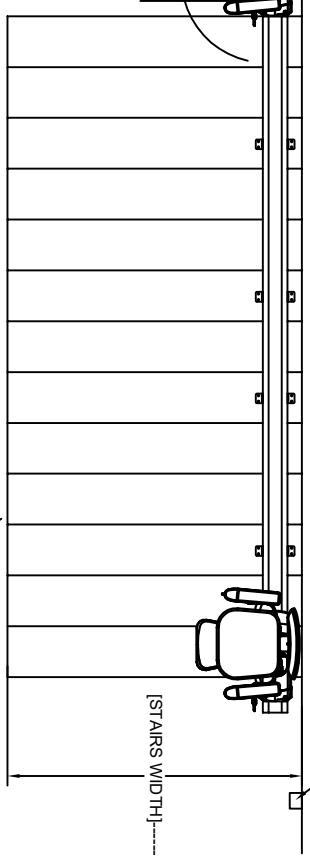
	A	B	C
SEAT AT NORMAL WIDTH	8"	3 3/4"	2 4/8"
SEAT AT MIDDLE WIDTH	8 3/4"	1 1/4"	3 3/8"
SEAT AT BIGGEST WIDTH	9 3/4"	2 1/4"	4 1/2"

	D	E	F
31°	16.70"	21.65"	4.96"
35°	16.94"	21.81"	4.881"
40°	17.125"	22.08"	4.96"
45°	17.24"	21.93"	4.88"
50°	17.32"	22.125"	4.81"
55°	17.32"	22.24"	4.91"

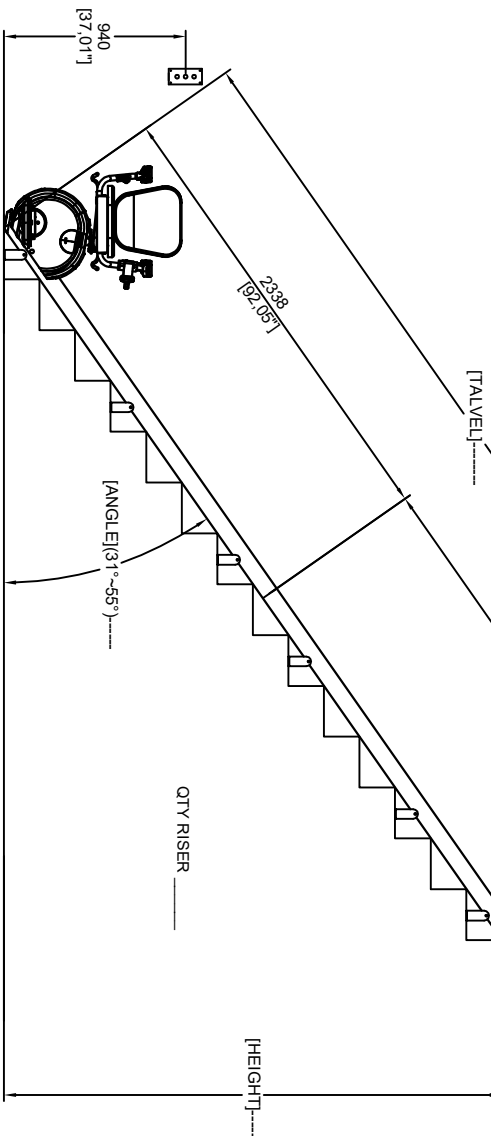
SURFACE HALL CALL:
 LOWER CALL STATION ONLY



UPPER CALL STATION



	W	K	M
SEAT AT NORMAL WIDTH	17.32" (438mm)	17.24" (438mm)	24.67" (625mm)
SEAT AT MIDDLE WIDTH	18.8" (478mm)	17.95" (455mm)	25.86" (657mm)
SEAT AT BIGGEST WIDTH	21.81" (555mm)	18.75" (476mm)	26.91" (684mm)



CUSTOMER: _____
PROJECT: _____
ADDRESS: _____

DATE: _____
REVISION MADE: _____
COMPLETED BY: ALEX B

Part No.: K2
Vendor No.: N/A

Logo: savaria

SHEET No.: 1 OF 1